

Code : M1004



2.0 inch

SPA light, epoxy resin panel



PC Frosted



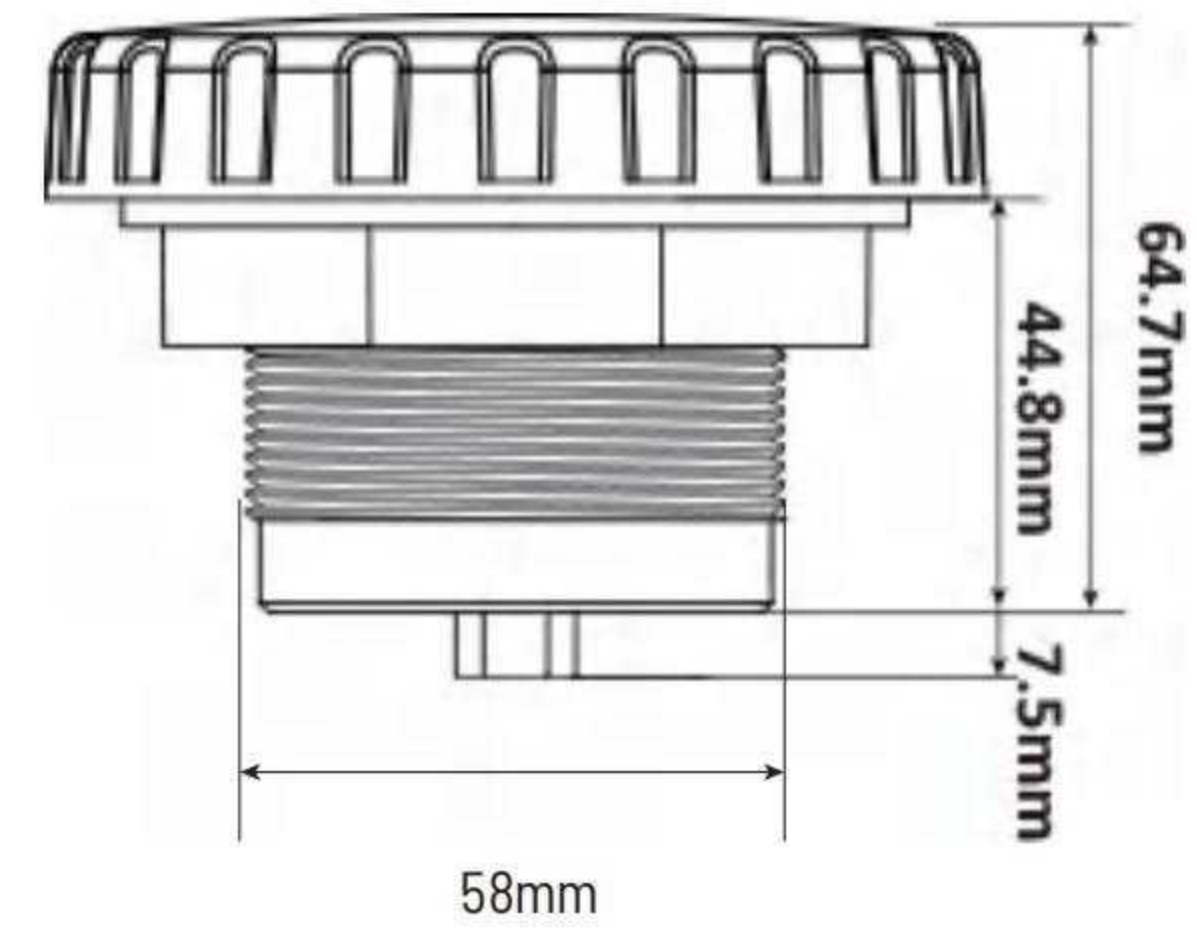
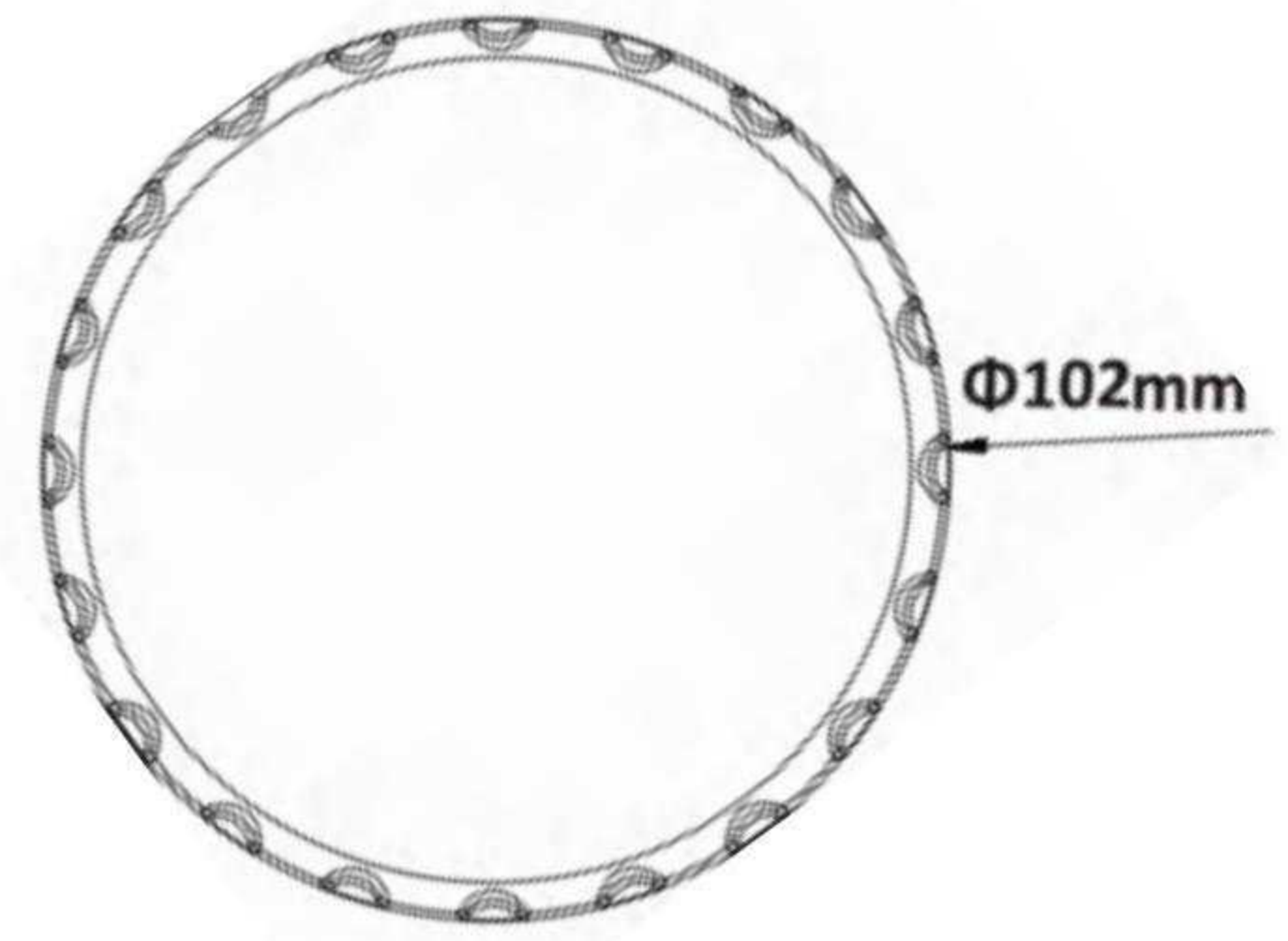
ABS + Small Lens



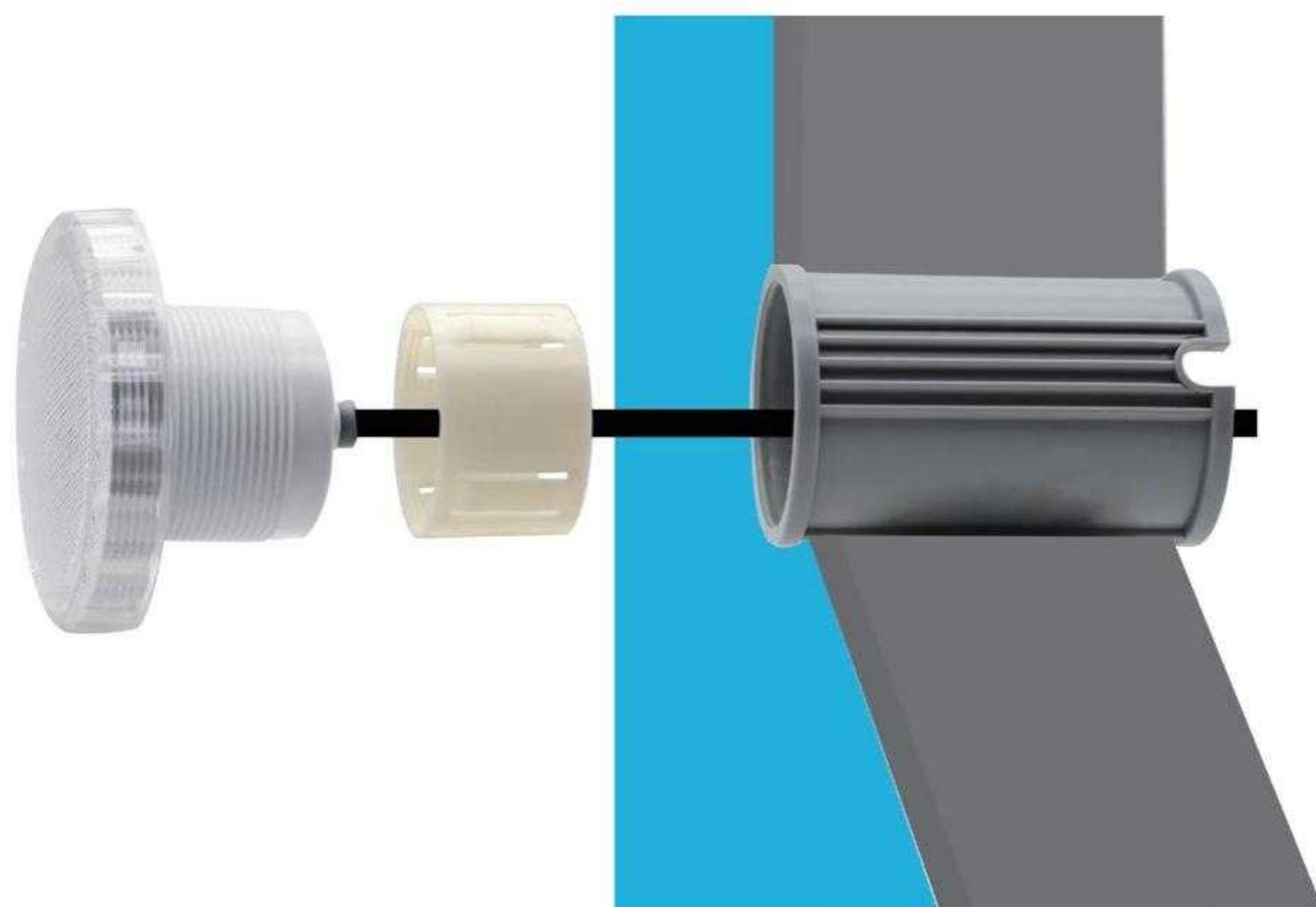
SS + Small Lens

Features

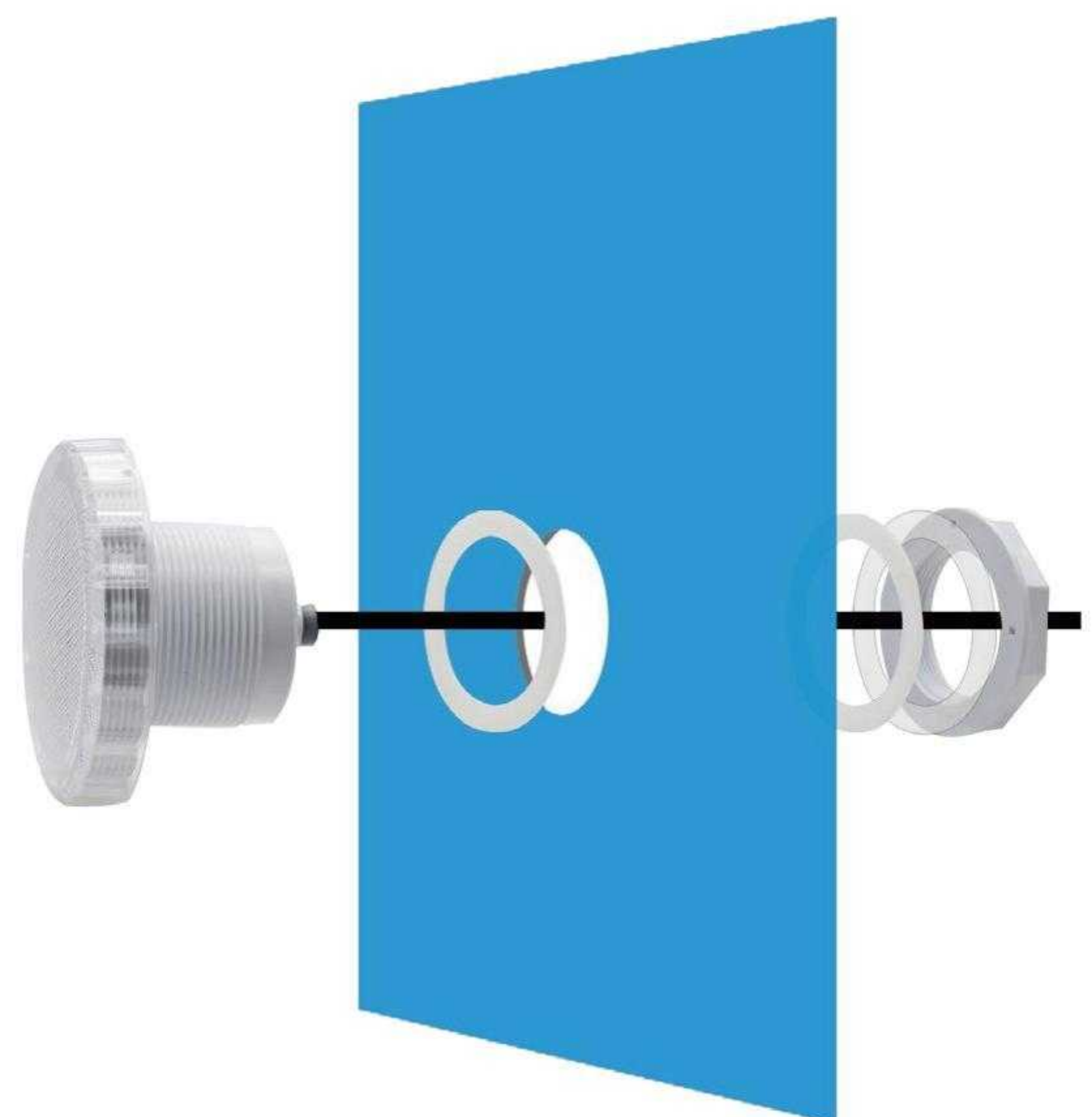
- * Filled with epoxy resin, IP68
- * Different materials for frame, PC/ABS/SS316L
- * Multiple installation methods
- * SMD5050 LED has better color mixing effect



Installation



Concrete Pool



Liner / Fiberglass Pool

Product Parameters

CODE	Volt	Power	LED	Qty	Lumens				Remarks
					WHT	DW	RGB	RGBW	
M1004	AC12V	5W	SMD5050	36pcs	500lm	/	250lm	/	RGB control way A. On/Off control
		8W	SMD5050	54pcs	800lm	/	400lm	/	

Code : M2001

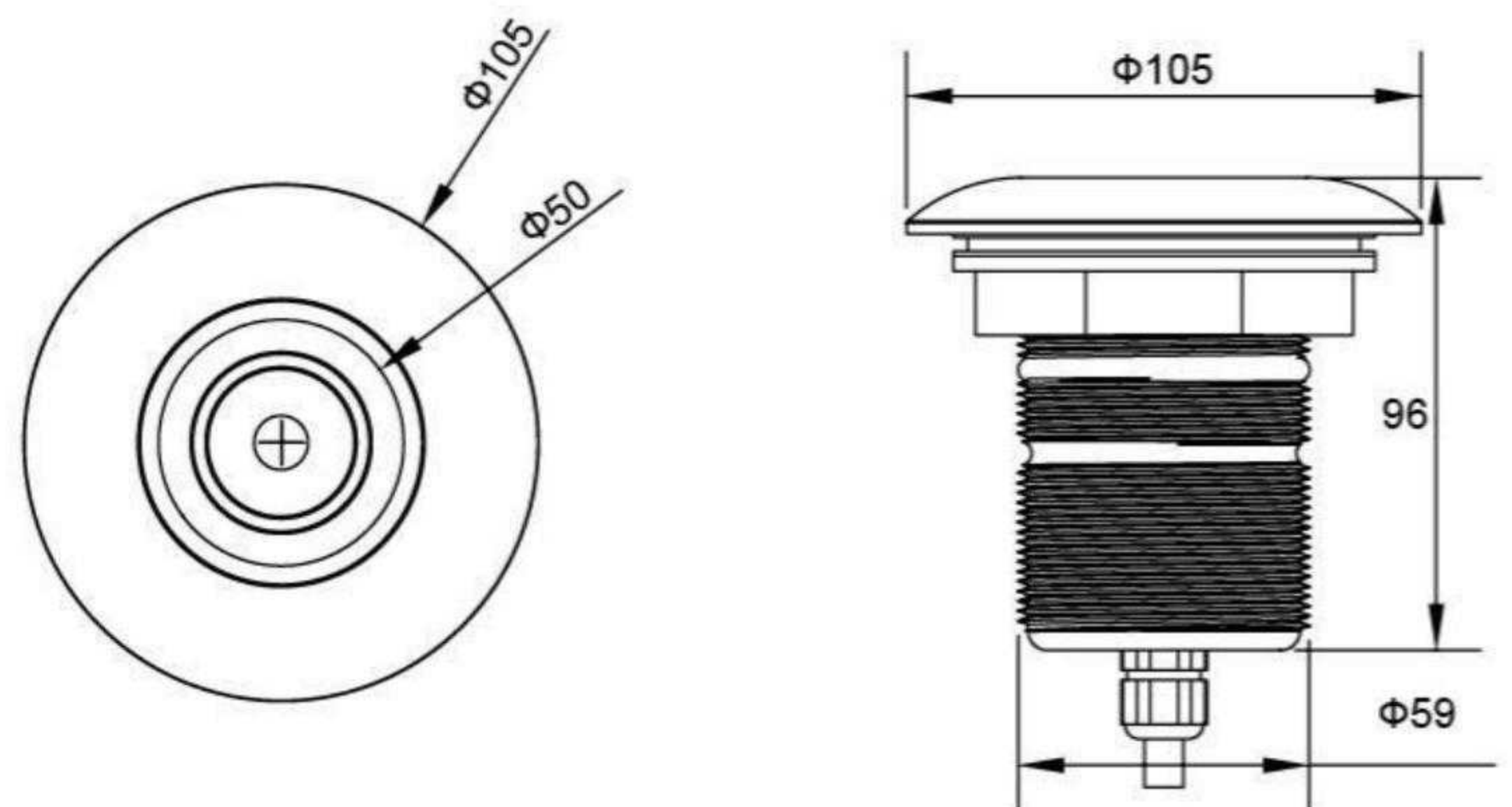
2.0 inch

SS316L ,SPA light



Features

- * SS316L housing
- * Multiple installation methods
- * For SPA pool



Product Parameters

CODE	Volt	Power	LED	Qty	Lumens				Remarks
					WHT	DW	RGB	RGBW	
M2001	AC12V	3W	SMD2835	36pcs	300lm	/	150lm	/	RGB control way A. On/Off control B. Remote control

1.5 inch pool light

Code : W2002M/W2003M/W4005M



1.5 inch

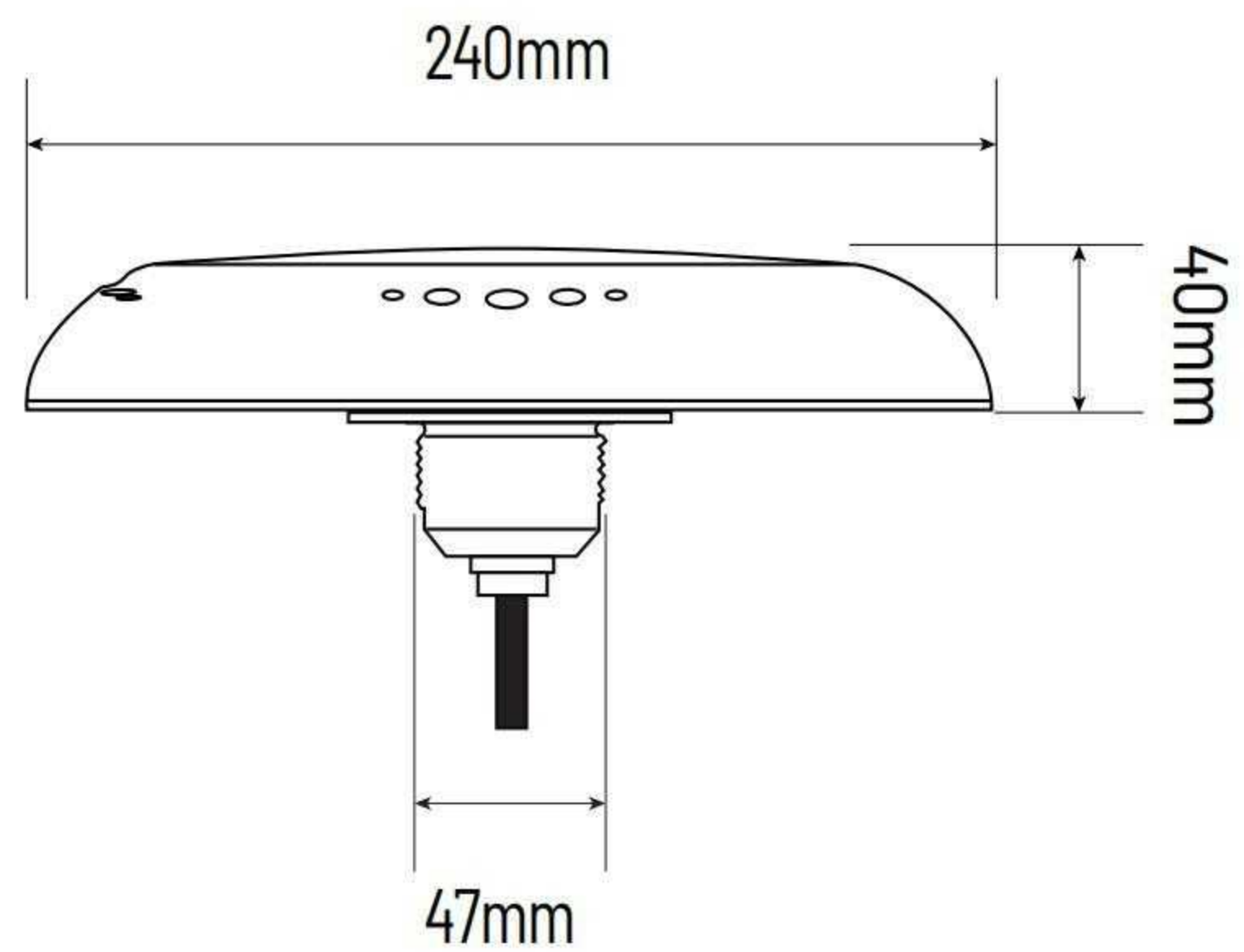


W2003M-S252RGB

AC12V, 18W, RGB, 252pcs SMD2835 LED
ON/OFF Control



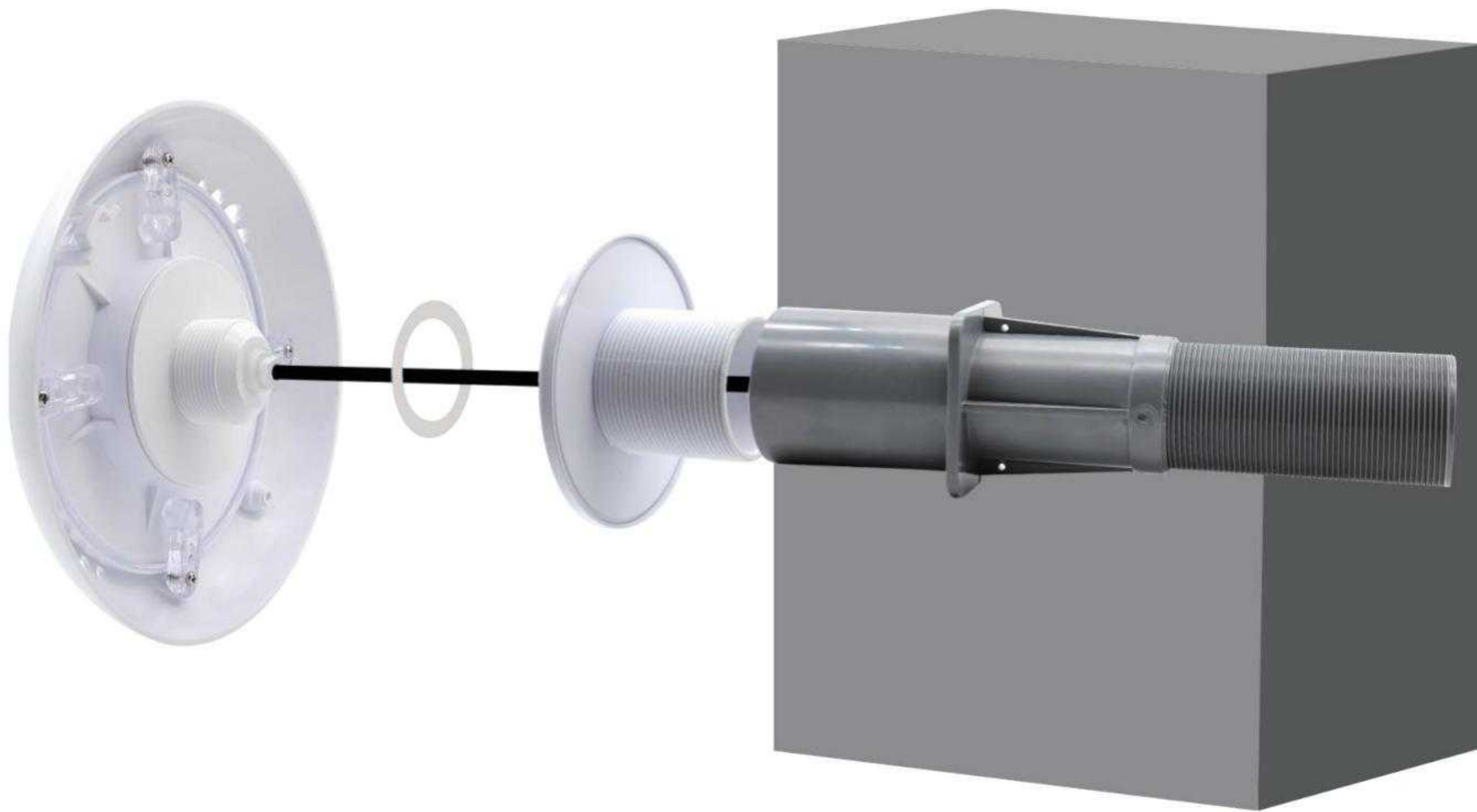
1.5 inch outlet



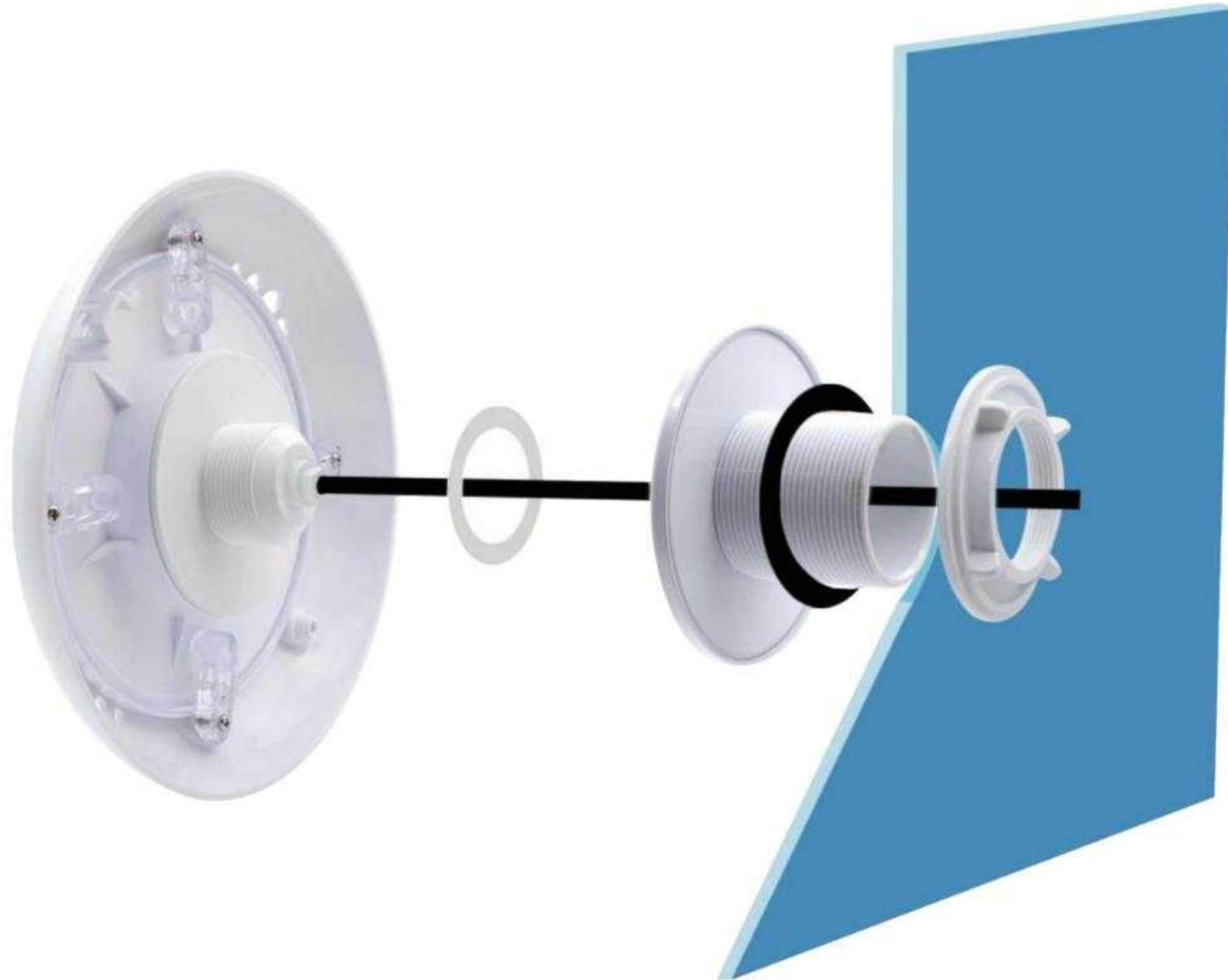
Product Parameters

CODE	Volt	Power	LED	Qty	Lumens				Remarks
					WHT	DW	RGB	RGBW	
W2002M W2003M W4005M	AC12V DC12V	18W	SMD2835	252pcs	1800lm	/	900lm	/	RGB control way A. On/Off control B. Remote control (R15 & R18)
		25W	SMD2835	351pcs	2500lm	/	1200lm	/	
		32W	SMD2835	441pcs	3200lm	/	1600lm	/	
		40W	SMD2835	513pcs	4000lm	/	2000lm	/	
		18W	SMD5050	90pcs	/	1900lm	900lm	/	DW control way A. On/Off control B. Remote control (R8)
		25W	SMD5050	120pcs	/	2600lm	1200lm	/	
		32W	SMD5050	150pcs	/	3300lm	1600lm	/	
		40W	SMD5050	180pcs	/	/	/	2100lm	

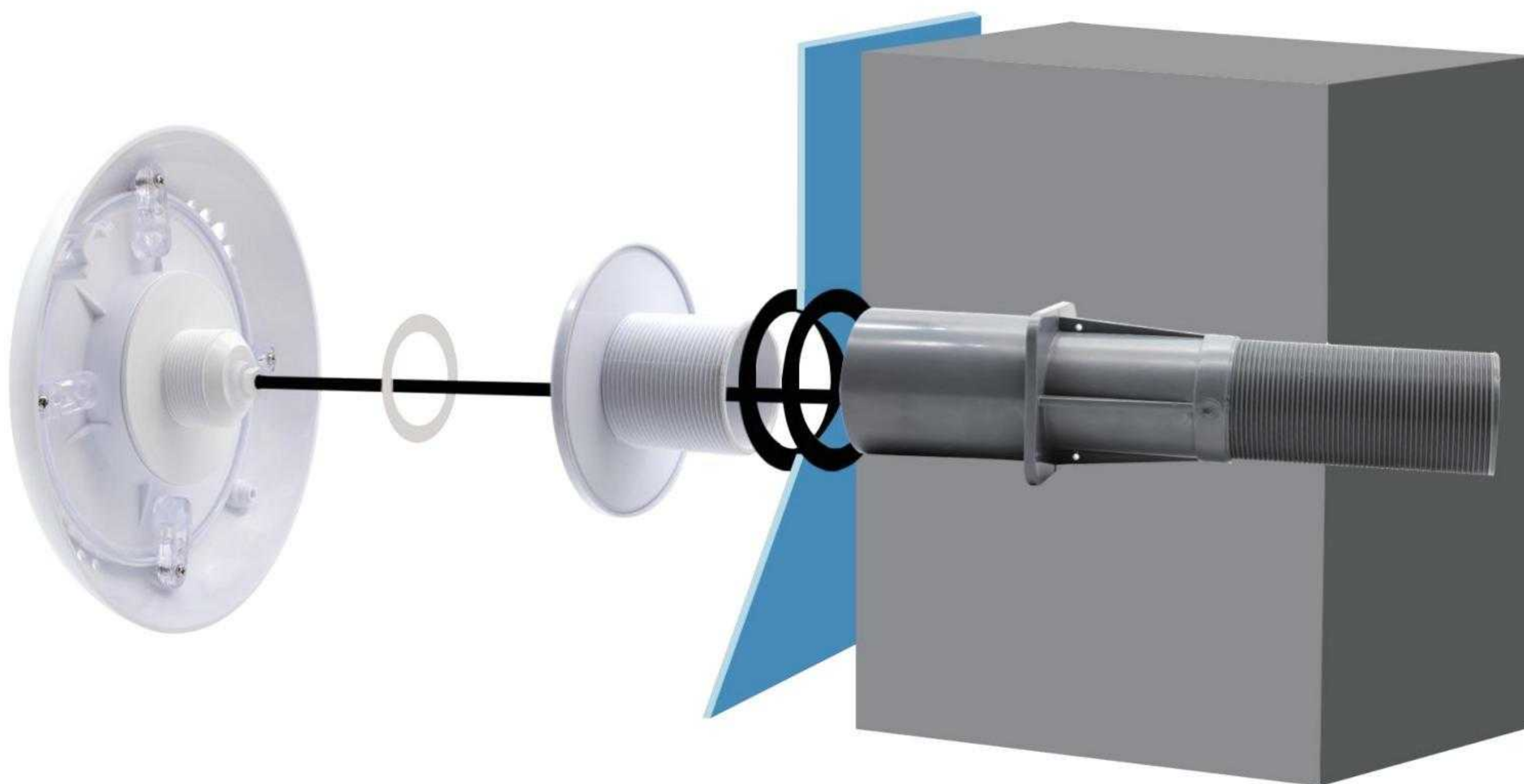
Installation



Concrete pool



Liner/Fiberglass pool



Concrete+Liner pool

2.0 inch pool light (for concrete pool)

Code : W2001C/W2002C/W2003C/W4005C

2.0 inch



W2003V-S252WGB

AC12V, 18W, WGB. 252pcs SMD2835 LED. ON/OFF Control



2.0 inch concrete pipe

Product Parameters

CODE	Volt	Power	LED	Qty	Lumens				Remarks
					WHT	DW	RGB	RGBW	
W2001C W2002C W2003C W2014C W4005C	AC12V DC12V	18W	SMD2835	252pcs	1800lm	/	900lm	/	RGB control way A. On/Off control B. Remote control (R15 & R18)
		25W	SMD2835	351pcs	2500lm	/	1200lm	/	
		32W	SMD2835	441pcs	3200lm	/	1600lm	/	
		40W	SMD2835	513pcs	4000lm	/	2000lm	/	
		18W	SMD5050	90pcs	/	1900lm	900lm	/	DW control way A. On/Off control B. Remote control (R8)
		25W	SMD5050	120pcs	/	2600lm	1200lm	/	
		32W	SMD5050	150pcs	/	3300lm	1600lm	/	
		40W	SMD5050	180pcs	/	/	/	2100lm	

2.0 inch pool light (for fiberglass pool)

2.0 inch

Code : W2001V/W2002V/W2003V/W4005V



W2002V



W2001V

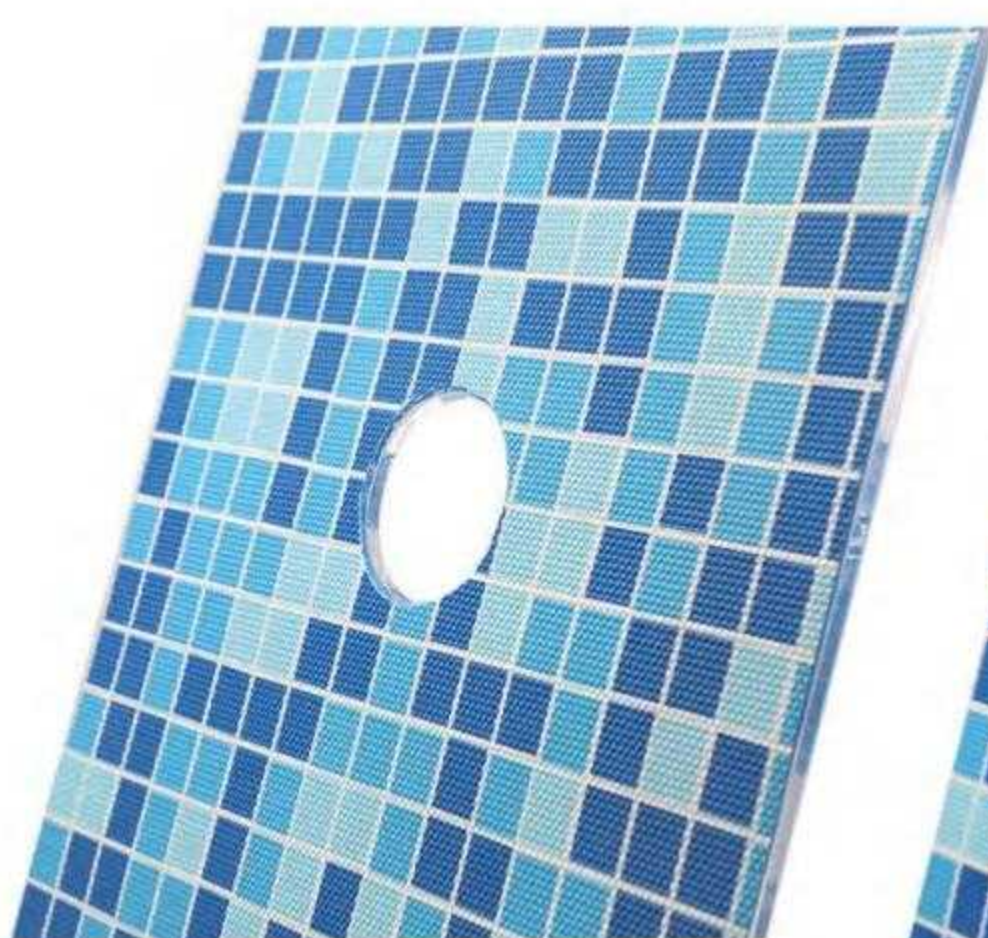


W2003V



W4005V

W2003V 2.0inch Pool Light Installation-Liner / Fiberglass Pool



1. Open a hole(Dia 60mm) on the Liner/Fiberglass



2. Put the silicon O-ring on the Liner/Fiberglass



3. Put the light in the hole

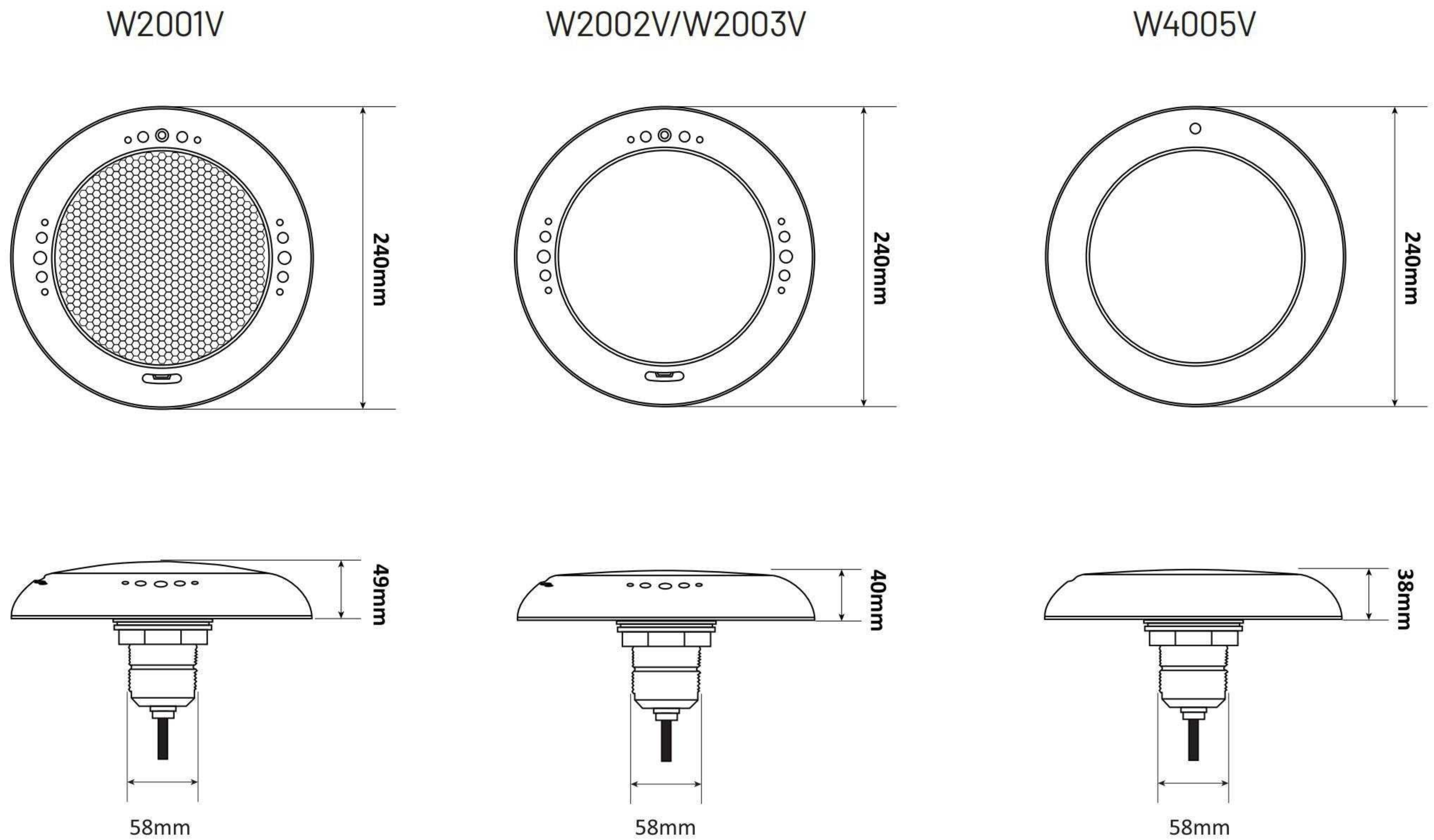


4. Fasten the light on the Liner/Fiberglass with the ABS nut.



Fiberglass pool

Size



Product Parameters

CODE	Volt	Power	LED	Qty	Lumens				Remarks
					WHT	DW	RGB	RGBW	
W2001V W2002V W2003V W2014V W4005V	AC12V DC12V	18W	SMD2835	252pcs	1800lm	/	900lm	/	RGB control way A. On/Off control B. Remote control (R15 & R18)
		25W	SMD2835	351pcs	2500lm	/	1200lm	/	
		32W	SMD2835	441pcs	3200lm	/	1600lm	/	
		40W	SMD2835	513pcs	4000lm	/	2000lm	/	
		18W	SMD5050	90pcs	/	1900lm	900lm	/	DW control way A. On/Off control B. Remote control (R8)
		25W	SMD5050	120pcs	/	2600lm	1200lm	/	
		32W	SMD5050	150pcs	/	3300lm	1600lm	/	
		40W	SMD5050	180pcs	/	/	/	2100lm	